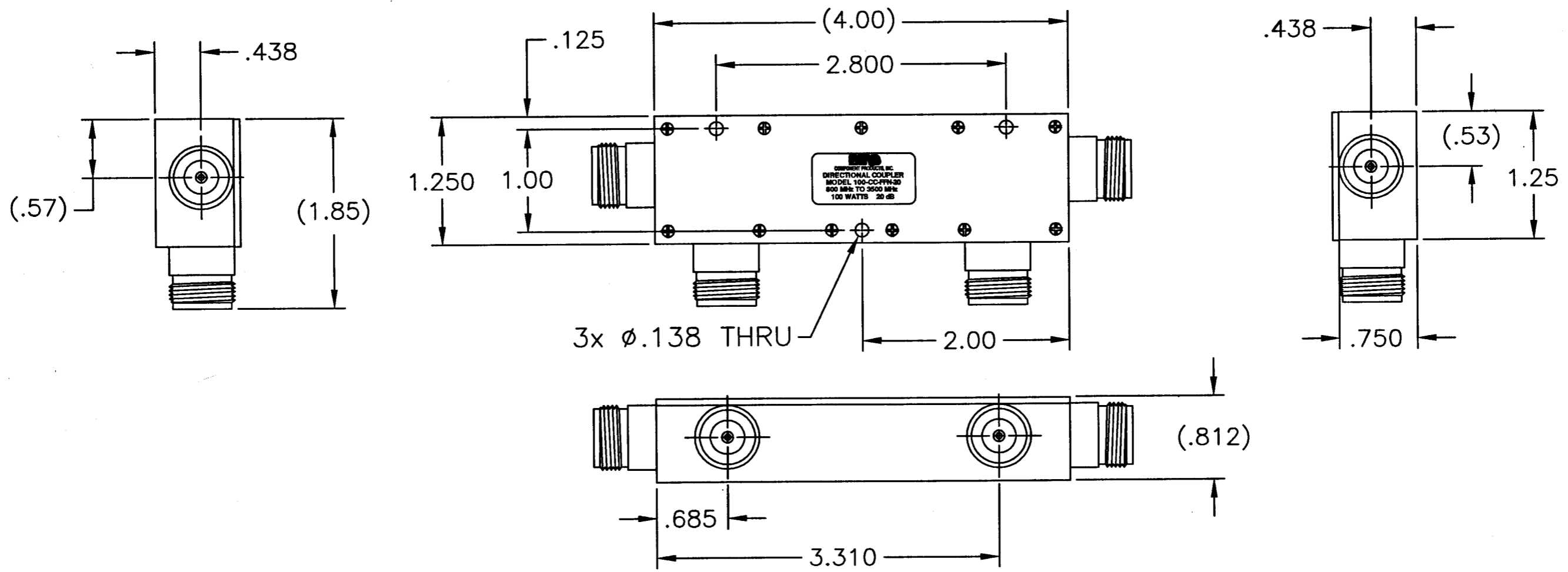


DWG NO. 100-CC-FFN-20 SHEET 1 REV A

SPECIFICATIONS:
 FREQUENCY RANGE: 800 MHz TO 3500 MHz
 COUPLING: 20dB
 DIRECTIVITY: 18dB MIN.
 INSERTION LOSS: .3dB MAX.
 VSWR: 1.20:1 MAX.
 FREQUENCY SENSITIVITY: ± 1.0dB MAX.
 INPUT POWER: 100 WATTS
 CONNECTORS: N-TYPE FEMALE, TRI-ALLOY PLATED
 WEIGHT: APPROX. 8 OZ.

REVISIONS				
ZONE	REV	DESCRIPTION	DATE	APPROVED
	A	CONVERT TO BEC FORMAT	DMR 2-21-03	MRV




- NOTES:**
- ☒ 1. PART MUST BE BURR FREE.
 - ☒ 2. CHAMFER 1st THREAD.
 - ☒ 3. 63 MICRINCH UNLESS OTHERWISE SPECIFIED.
 - ☐ 4. PER BPS _____.
 - ☒ 5. .005 RADIUS ON ALL INSIDE & OUTSIDE CORNERS UNLESS OTHERWISE SPECIFIED.

UNLESS OTHERWISE SPECIFIED DIMENSIONS ARE IN INCHES TOLERANCES ARE:	MILLIMETERS X = ±.4 XX = ±.12
FRACTIONS ± 1/64	DECIMALS .XX = ±.010 .XXX = ±.005
ANGLES ± 30'	
DO NOT SCALE DRAWING	
MATERIAL	
FINISH	

THIS DRAWING IS THE PROPERTY OF THE BIRD ELECTRONIC CORPORATION. THE DESIGNS AND SPECIFICATIONS DISCLOSED HEREON ARE PROPRIETARY AND SHALL NOT BE REPRODUCED, NOR COPIED, NOR USED AS THE BASIS FOR THE MANUFACTURE OR SALE OF APPARATUS OR DEVICES WITHOUT THEIR EXPRESS WRITTEN CONSENT.

APPROVALS	DATE
DRAWN D.M.RINK	2-21-03
CHECKED	
APPROVED <i>MRV</i>	10-29-03
AUTOCAD	



BIRD Electronic Corporation
 Cleveland (Solon) Ohio USA

TITLE COUPLER, DIRECTIONAL, N-TYPE FEMALE 800-3500 MHz, 20dB, 100W			
SIZE B	FSCM NO. 70998	DWG. NO. 100-CC-FFN-20	REV A
SCALE 1:1	COMM CODE CU1	SHEET 1 OF 1	